

Instruction for work
Betriebsanleitung
List of spare parts
Ersatzteilliste

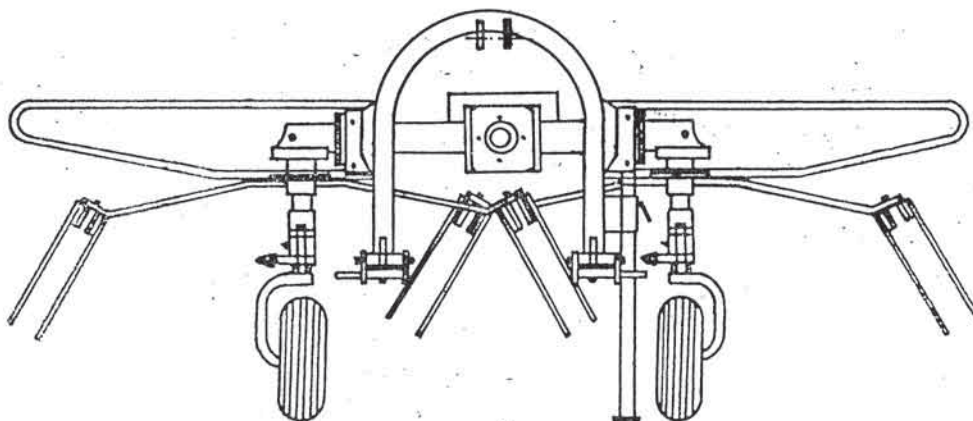


SIP

SPIDER 230

kreiselheuer

rotary tedder



Valid from serial number on:
Gültig ab Maschinnummer:
SPIDER 230 = 801



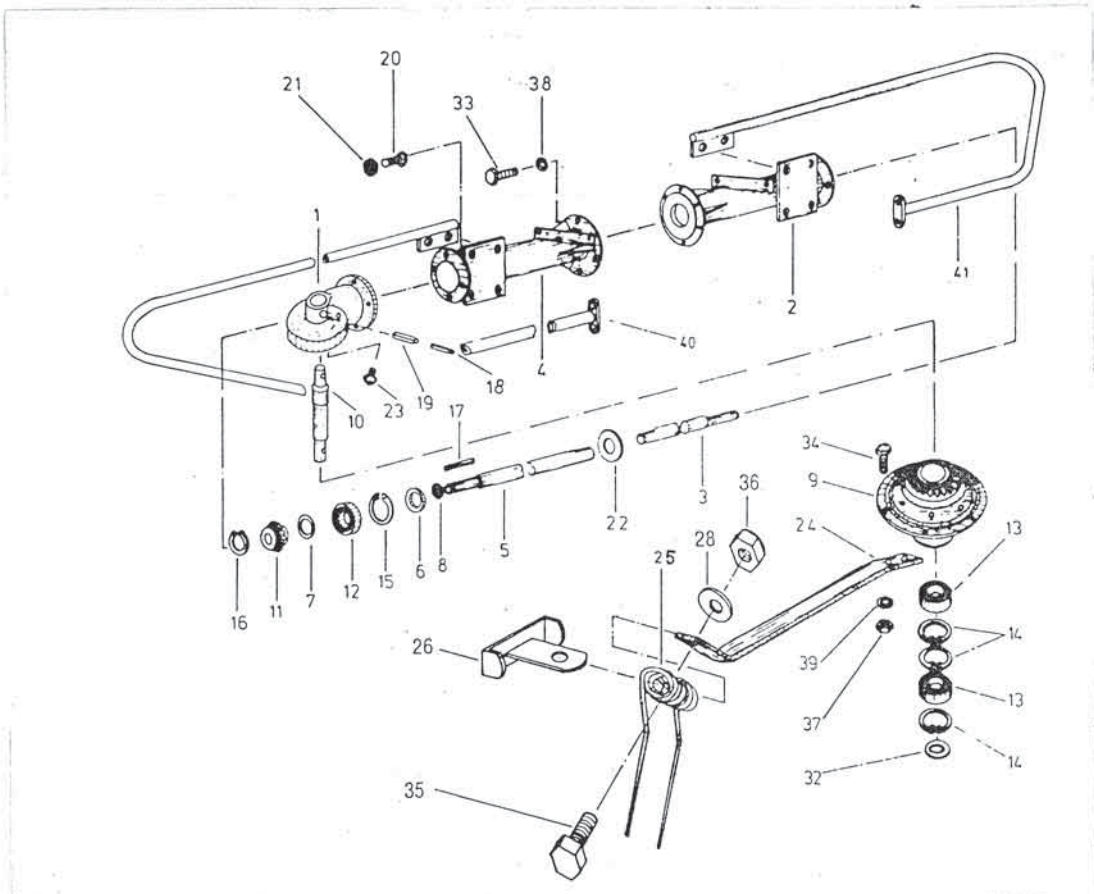
SIP

STROJNA INDUSTRIJA d.d.
3311 Šempeter v Savinjski dolini
Slovenija

Tel: +386 (03) 7038 500
Fax: +386 (03) 7038 663
+386 (03) 7038 674

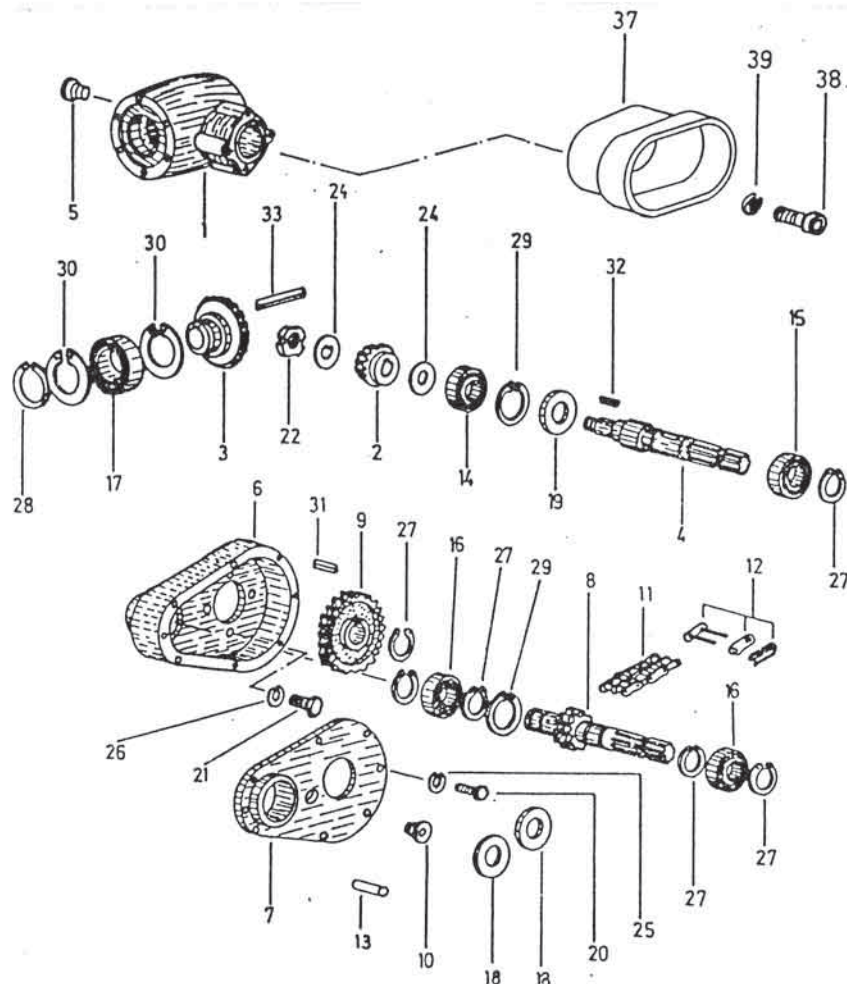
| No.on the figure Numer anzeichn. | Catalogue no. Katalog nummer | Description | Benennung | Quantity Stück |
|--|---------------------------------|----------------------|---------------------------|-------------------|
| 1 | 151797103-334.03.006.0 | Gear-box housing | Antriebsgehäuse | 2 |
| 2 | 151795702-334.01.005.0 | Tube with planges | Rohr mit Flansche | 1 |
| 3 | 151798807-336.01.001.0 | Shaft left | Welle links | 1 |
| 4 | 151796505-334.02.004.0 | Tube with flanges | Rohr mit Flansche | 1 |
| 5 | 151799003-336.02.001.0 | Shaft right | Welle rechts | 1 |
| 6 | 151797602-334.03.010.0 | Ring | Ring | 2 |
| 7 | 151752106-150.08.006.0 | Washer | Distanzscheibe kpl. | |
| 8 | 151012905 | Distance ring | Distanzring 3 kpl. | |
| 9 | 151039307-325.02.016.0 | Rotor | Rotor | 2 |
| 10 | 151042204-325.04.008.0 | Axle | Achse | 2 |
| 11 | 151950801-337.02.013.0 | Gear | Zahnrad | 2 |
| 12 | 000244603 | Bearing 40 BC 10 XPP | Rillenkugellager 6008 ZZ | 2 |
| 13 | 000244202 | Bearing 35 BC 10 XPP | Rillenkugellager 6007 ZZ | 4 |
| 14 | 000236300 | Circlip 62 | Sicherungsring 62 | 6 |
| 15 | 000236408 | Circlip 68 | Sicherungsring 68 | 2 |
| 16 | 000237407 | Circlip 25 | Sicherungsring 25 | 2 |
| 17 | 000230707 | Cotter A8x7x45 | Passfeder A8x7x45 | 2 |
| 18 | 000233802 | Pin Ø6x55 | Spannhülse Ø6x55 | 2 |
| 19 | 000235301 | Cotter Ø10x55 | Spannhülse Ø10x55 | 2 |
| 20 | 000211602 | Screw M12x25 | Schrauben M12x25 | 8 |
| 21 | 000228505 | Washer B12 | Federring B12 | 8 |
| 22 | 150009001 | Oil seal Ø30/Ø52x10 | Dichtungsring Ø30/Ø52x10 | 2 |
| 23 | 000246905 | Lubricator A M10x1 | Schmiemippel A M10x1 | 2 |
| 24 | 151047904-325.00.002.0 | Holder | Träger | 12 |
| 25 | 152870600-345.00.010.0 | Spring finger | Federzinke | 12 |
| 26 | 152954501-345.00.018.0 | Saffety device | Sicherung | 12 |
| 28 | 150257304 | Washer 13 Zn | Scheibe 13 Zn | 12 |
| 32 | 151019908 | Washer | Scheibe | |
| 33 | 000210202 | Screw M10x25 8.8 | SK-Schraube M10x25 | 12 |
| 34 | 000248805 | Screw M12x35 8.8 Zn | SK-Schraube M12x30 8.8 Zn | 24 |
| 35 | 000203504 | Screw M12x45 8.8 Zn | SK-Schraube M12x45 8.8 | 12 |
| 36 | 000250604 | Nut M12 5 Cd | SK-Mutter M12 5 Cd | 12 |
| 37 | 000221502 | Nut M12 5 Cd | SK-Mutter M12 5 Zn | 24 |
| 38 | 000228300 | Washer B10 | Federring B10 | 12 |
| 39 | 000228603 | Washer B12 | Federring B12 | 24 |
| 40 | 152227307-341.06.001.0 - 2x | Protection r. | Schutz rechts | 1 |
| 41 | 152227708-341.06.005.0 - 3x | Protection l. | Schutz links | 1 |

Bild 1 Fig 1



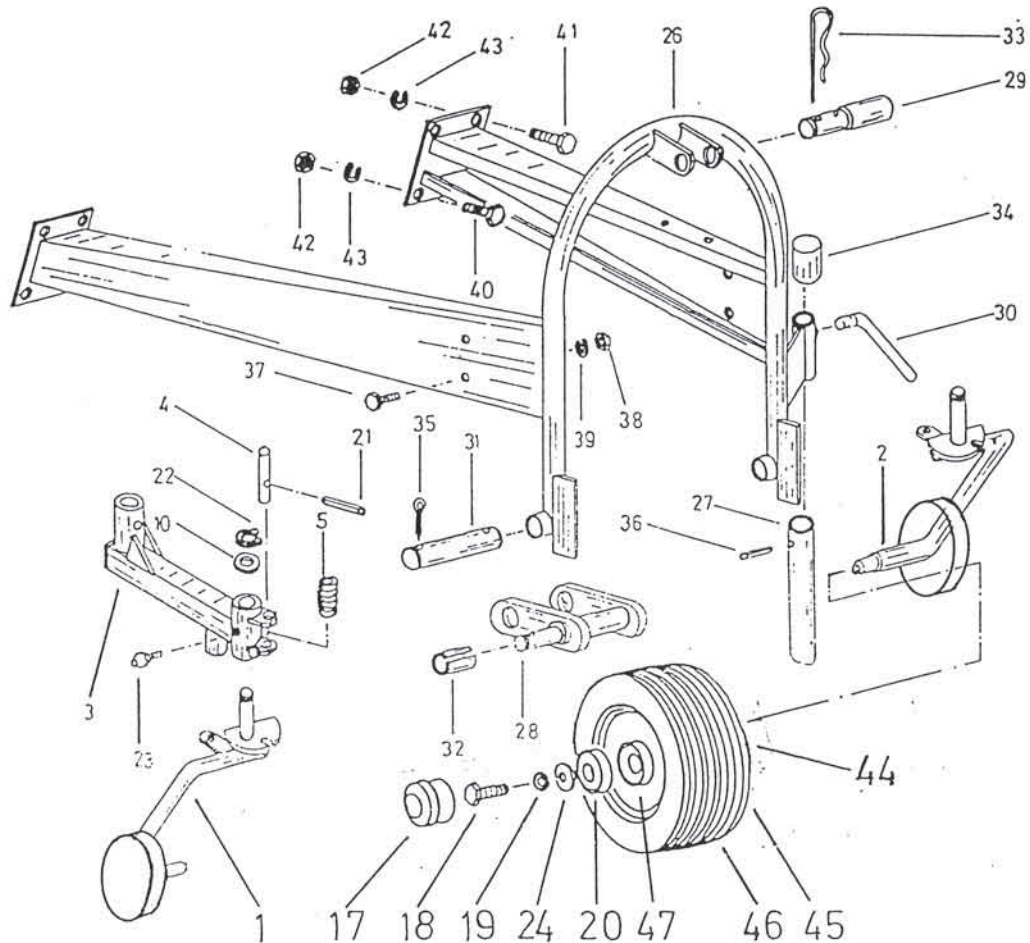
| No.on the figure Numer anzeichn. | Catalogue no. Katalog nummer | Description | Benennung | Quantity Stück |
|--|---------------------------------|---------------------------|---------------------------|-------------------|
| 1 | 151037103-325.01.001.2 | Gear-box housing | Antriebsgehäuse 1 | 1 |
| 2 | 151037309-325.01.002.1 | Gear 1 | Zahnrad 1 | 1 |
| 3 | 151037407-325.01.003.1 | Gear 2 | Zahnrad 2 | 1 |
| 4 | 151037622-325.01.004.2 | Shaft | Welle | 1 |
| 5 | 151012601-510.03.041.0 | Locking tap | Verschlusszapfen | 1 |
| 6 | 151045906-325.09.001.0 | Gear-box housing | Getriebegehäuse | 1 |
| 7 | 151046102-325.09.002.0 | Cover | Deckel | 1 |
| 8 | 151046308-325.09.003.0 | Shaft with sprocket | Welle mit Kettenrad | 1 |
| 9 | 151046406-325.09.004.1 | Sprocket | Kettenrad kpl. | 1 |
| 10 | 151012601-510.03.041.0 | Locking tap | Verschlusszapfen | 1 |
| 11 | 150009804 | Chain 2x12,7x7,75x8,51x43 | Kette 2x12,7x7,75x8,51x43 | 1 |
| 12 | 150009902 | Locking link | Schlussglied 2x12,7x7,75 | 1 |
| 13 | 150010008 | Pin 8x30 | Zylinderstift 8x30 | 1 |
| 14 | 150362208 | Bearing 6206 | Rillenkugellager 6206 | 1 |
| 15 | 000244202 | Bearing 35 BC 10 XPP | Rillenkugellager 6207 2ZZ | 1 |
| 16 | 000244104 | Bearing 35 BC 10 | Rillenkugellager 6007 | 2 |
| 17 | 150008306 | Bearing 45 BC 02 | Rillenkugellager 6209 | 1 |
| 18 | 150010106 | Oil seal 35x62x10 | Dichtung 35x62x10 | 2 |
| 19 | 150008404 | Oil seal A38x62x10 | Dichtung A38x62x10 | 1 |
| 20 | 000208901 | Screw M8x25 5.6 | SK-Schraube M8x25 5.6 | 7 |
| 21 | 000210006 | Screw M10x25 5.6 | SK-Schraube | 4 |
| 22 | 000237407 | Circlip 25 | Sicherungsring 25 | 1 |
| 24 | 151012905 | Washer | Scheibe | |
| 25 | 000228104 | Washer B8 | Federring B8 | 7 |
| 26 | 000228300 | Washer B10 | Federring B10 | 4 |
| 27 | 000237602 | Circlip 35 | Sicherungsring 35 | 6 |
| 28 | 000237906 | Circlip 45 | Sicherungsring 45 | 1 |
| 29 | 000236300 | Circlip 62 | Sicherungsring 62 | 2 |
| 30 | 000236603 | Circlip 85 | Sicherungsring 85 | 2 |
| 31 | 150010204 | Cotter A10x8x30 | Passfeder A10x8x30 | 1 |
| 32 | 150060203 | Cotter B8x7x30 | Passfeder B8x7x30 | 1 |
| 33 | 000256305 | Cotter A10x8x60 | Passfeder A10x8x60 | 1 |
| 37 | 152226601-340.00.003.0 | P.T.O. Shaft protection | Gelenkwellenschutz | 1 |
| 38 | 150163307 | Screw M10x20 8.8 Zn | SK-Schraube M10x20 Zn | 2 |
| 39 | 000225303 | Washer A10 Zn | Scheibe A10 Zn | 4 |

Bild 2 Fig 2



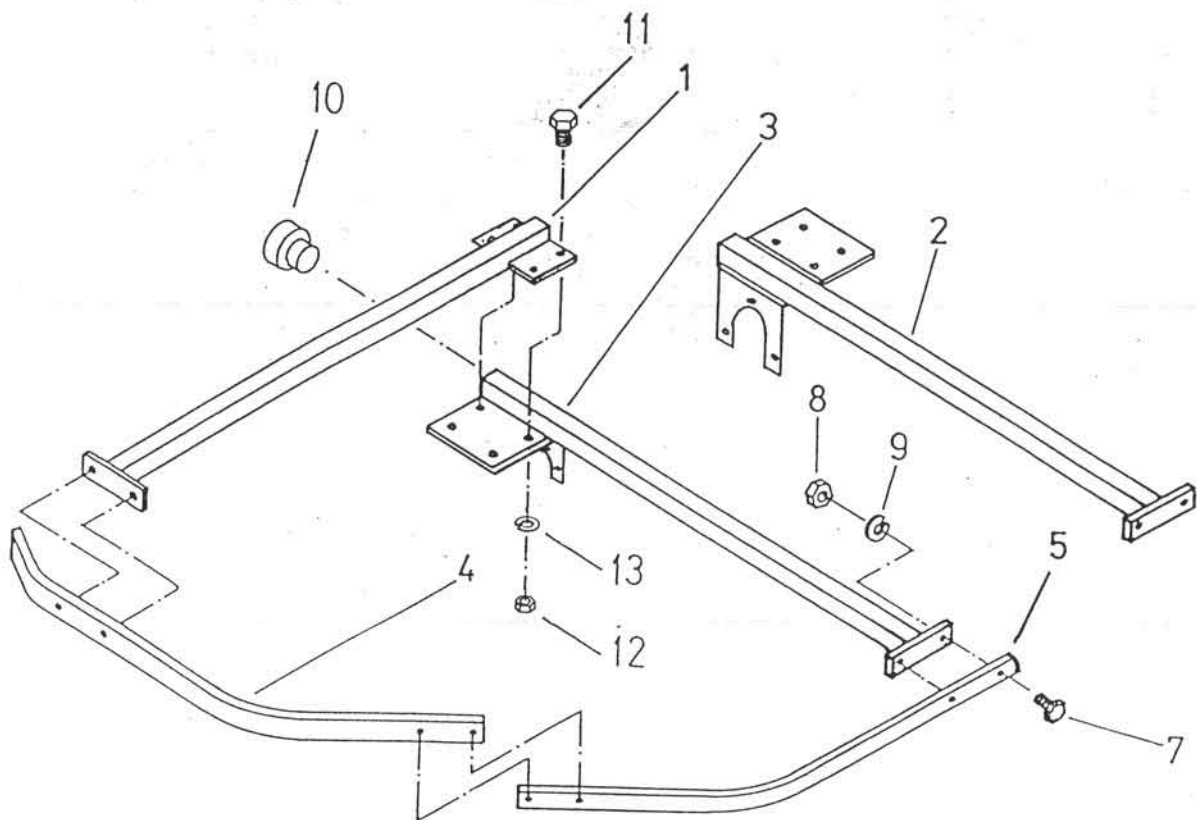
| No. on the figure Numer anzeichn. | Catalogue no. Katalog nummer | Description | Benennung | Quantity Stück |
|---|---------------------------------|----------------------------|-----------------------------|-------------------|
| 1 | 153046314-334.08.001.1 | Axle right | Achse rechts Schw. | 1 |
| 2 | 153046216-334.06.001.1 | Axle left | Achse links Schw | 1 |
| 3 | 152017203-334.07.001.0 | Wheel Bracket 1 | Konsole 1 | 2 |
| 4 | 151688506-330.05.026.0 | Pin | Hülse | 2 |
| 5 | 151381105-455.02.095.1 | Spring | Druckfeder | 2 |
| 10 | 153082309 | Washer | Scheibe | 4 |
| 17 | 155472507 | Cover | Deckel | 2 |
| 18 | 150087202 | Screw M12x25 | Schraube M12x25 | 2 |
| 19 | 000228603 | Washer B12 | Scheibe B12 | 2 |
| 20 | 000255208 | Bearing 25 BC 02 XEE | Rillenkugellager 6205 2Z | 4 |
| 21 | 150060908 | Pin 10x70 | Spannhülse 10x70 | 2 |
| 22 | 000237504 | Cirelip 30 | Sicherungsring 30 | 2 |
| 23 | 000246601 | Lubricator A M8x1 | Sicherungsring AM8x1 | 2 |
| 24 | 151006002 | Washer | Scheibe | 2 |
| 26 | 152227003-341.05.001.0 | Hitch welded | Anhängerrahmen Schw. | 1 |
| 27 | 151576404-327.03.025.0 | Leg | Stutzfuß | 1 |
| 28 | 151576609-327.03.028.0 | Pivoting hitch | Annange wippe kpl. | 2 |
| 29 | 151047806-220.00.001.0 | Bolt | Bolzen | 1 |
| 30 | 151048306-200.14.014.5 | Screw with handle | Knebel | 1 |
| 31 | 151576805-327.03.030.0 | Bolt | Bolzen tür Anhängewippe | 2 |
| 32 | 151029407-200.07.005.5 | Sleeve | Spannbüchse | 2 |
| 33 | 151048501-455.02.094.0 | Wire safetyclamp | Drahtsicherungs | 1 |
| 34 | 151007912-510.02.054.1 | Lover | Deckel | 1 |
| 35 | 000239904 | Cotter 5x32 | Splint 5x32 | 4 |
| 36 | 000232803 | Pin 5x40 | Spannhülse 5x40 | 1 |
| 37 | 150106806 | Screw M10x20 8.8 Zn | SK-Schraube M10x20 8.8 Zn | 4 |
| 38 | 000221101 | Nut M10 5 Zn | SK-Mutter M10 5 Zn | 4 |
| 39 | 000228408 | Washer B10 Zn | Federring B10 Zn | 4 |
| 40 | 000253807 | Screw M16x40 8.8 Zn | SK-Schraube M16x40 8.8 Zn | 4 |
| 41 | 150038907 | Screw M16x45 8.8 Zn | SK-Schraube M16x45 8.8 Zn | 4 |
| 42 | 000222002 | Nut M16 Zn | SK-Mutter M16 5 Zn | 8 |
| 43 | 000251505 | Washer B16 | Federring B16 Zn | 8 |
| 44 | 150405207 | Wheel cpl. 15x6.00-6 4 PLY | Laufrad kpl.15x6.00 6 4 PLY | 2 |
| 45 | 150257000 | Type 15x6.00-6 4 PR | Reifen 15x6.00 4 PR | 2 |
| 46 | 150257108 | Pneumatic 15x6 | Schlach 15x6 | 2 |
| 47 | 150405305 | Rim 4.50A x 6 | Felge 4.50 A x 6 | 2 |

Bild 3 Fig 3



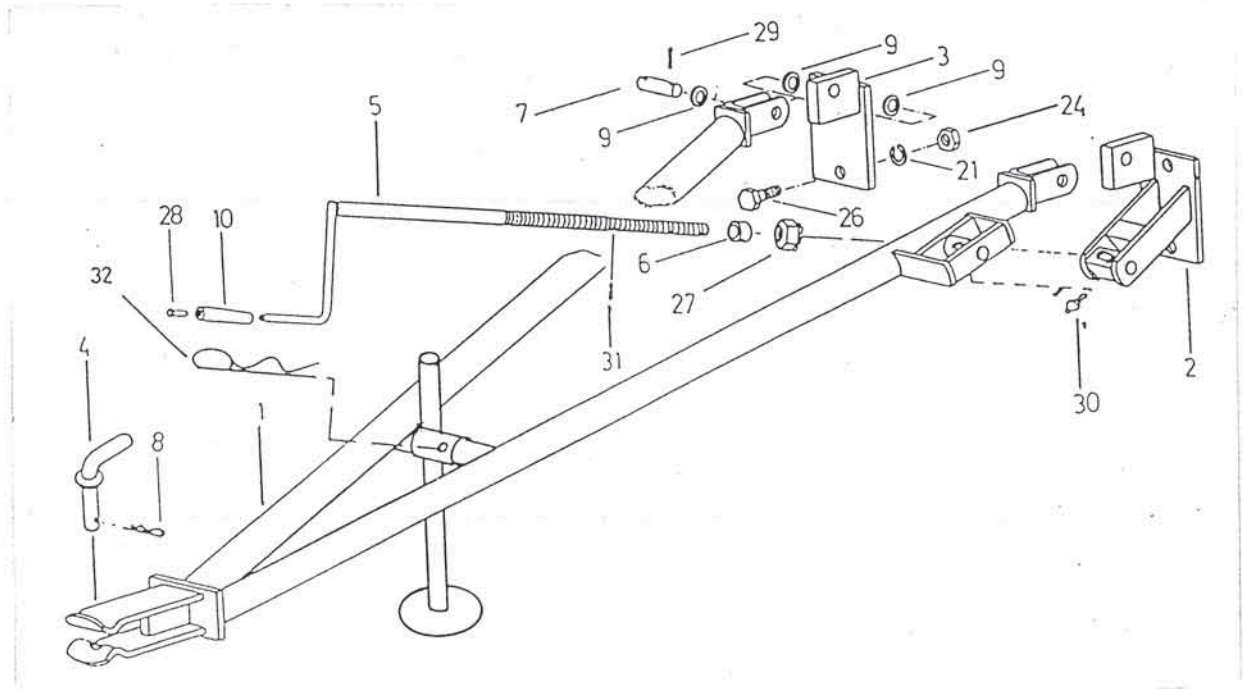
| No.on the figure Numer anzeichn. | Catalogue no. Katalog nummer | Description | Benennung | Quantity Stück |
|--|---------------------------------|---------------------|---------------------------|-------------------|
| 1 | 153803708-341.06.010.0 | Holder | Träger Schw. | 2 |
| 2 | 153803307-341.06.013.0 | Holder l. | Träger links Schw. | 1 |
| 3 | 153803209-341.06.016.0 | Holder r. | Träger rechts Schw. | 1 |
| 4 | 153803502-375.12.014.0 | Band | Band | 2 |
| 5 | 153803405-341.06.018.0 | Band | Band | 2 |
| 7 | 000210300 | Screw M10x25 8.8 Zn | SK-Schraube M10x28 8.8 Zn | 12 |
| 8 | 000221307 | Nut M10 8 Zn | SK-Mutter M10 8 Zn | 12 |
| 9 | 000228408 | Washer B10 Zn | Federring B10 | 12 |
| 10 | 152449407-510.06.020.0 | Cover | Deckel | 2 |
| 11 | 000248805 | Screw M12x35 8.8 Zn | SK-Schraube M12x35 8.8 Zn | 8 |
| 12 | 150160300 | Nut M12 8 Zn | SK-Mutter M12 8 Zn | 8 |
| 13 | 000228603 | Washer B12 | Federring B12 Zn | 8 |

Bild 4 Fig 4



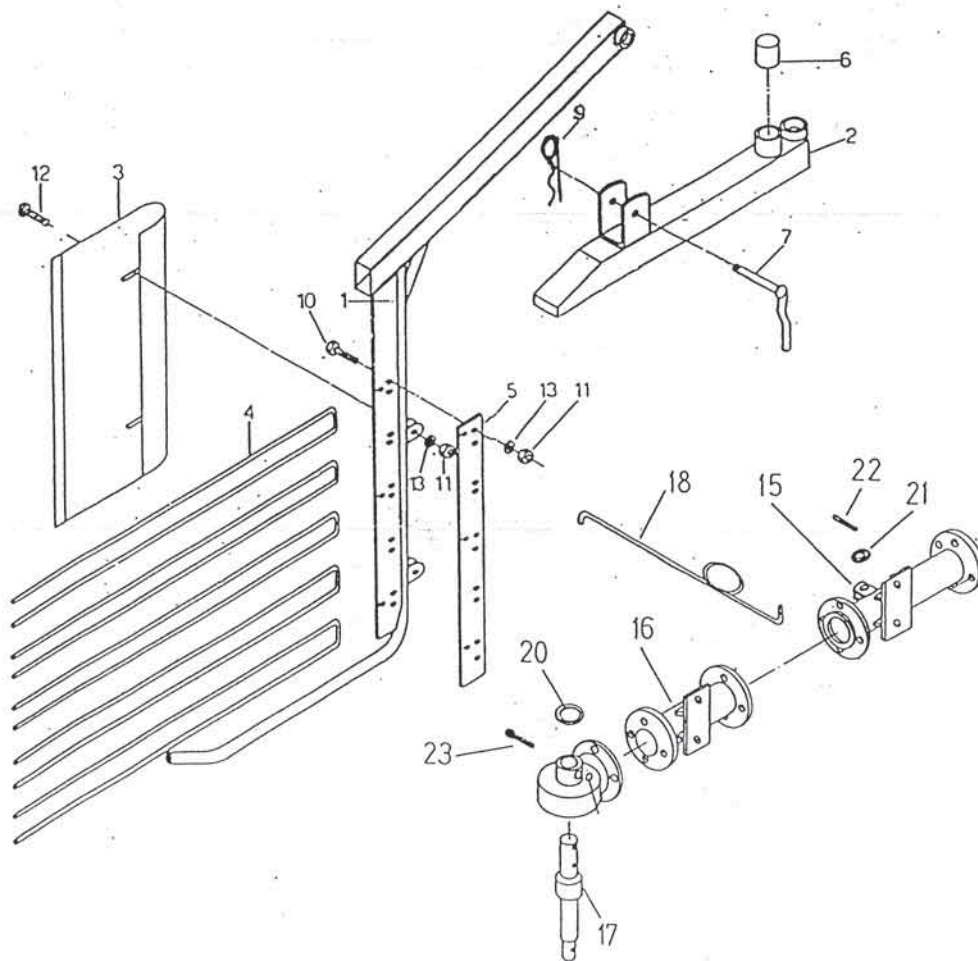
| No.on the figure Numer anzeichn. | Catalogue no. Katalog nummer | Description | Benennung | Quantity Stück |
|--|---------------------------------|----------------------|------------------------|-------------------|
| 1 | 153665206-377.04.001.0 | Pull-Type hitch | Anschluss Schw. | 1 |
| 2 | 153666606-377.04.017.0 | Hitch plate | Anschlussplate links | 1 |
| 3 | 153666401-377.04.012.0 | Hitch plate | Anschlussplate links | 1 |
| 4 | 153663404-377.04.005.0 | Bolt welded | Bolzen Schw. | 1 |
| 5 | 153666019-377.04.010.1 | Spindle | Spindel Schw. | 1 |
| 6 | 153666205-TN 03 | Sleeve | Büchse | 1 |
| 7 | 153665901-377.04.009.0 | Bolt 5 | Bolzen 5 | 2 |
| 8 | 151939503-338.00.008.0 | Wire safety clamp | Drahtsicherung | 1 |
| 9 | 151233702-TN 01 | Washer | Scheibe | 6 |
| 10 | 151068604-11.23.048.5 | Handle | Kanne | 1 |
| 21 | 000251505 | Washer B16 | Federring B16 | 4 |
| 24 | 150040208 | Nut M16 8 Zn | SK-Mutter B16 | 4 |
| 26 | 000253807 | Screw M16x40 8.8 Zn | SK-Schraube M16x40 8.8 | 4 |
| 27 | 150122003 | Nut M24 | Mutter M24 | 1 |
| 28 | 000241802 | Rivet 6x20 | Niet 6x20 | 1 |
| 29 | 150084704 | Pin 5x32 | Spannhülse 5x32 | 4 |
| 30 | 000246601 | Lubricator A M8x1 | Schmiernippel A M8x1 | 1 |
| 31 | 150116804 | Pin 4x36 | Spannhülse 4x36 | 2 |
| 32 | 152903807-516.02.015.0 | Wire safety clamp Ø7 | Drahtsicherung Ø7 | 1 |

Bild 5 Fig 5



| No.on the figure Numer anzeichn. | Catalogue no. Katalog nummer | Description | Benennung | Quantity Stück |
|--|---------------------------------|------------------------|-----------------------|-------------------|
| 1 | 153830803-387.07.001.0 | Curtain | Schutztuch | 2 |
| 2 | 152766000-344.07.009.0 | Bracket | Halter geschw. | 2 |
| 3 | 152766509-344.07.015.0 | Tin | Blech | 2 |
| 4 | 152766607-344.07.016.0 | Spring tine | Federzinke | 12 |
| 5 | 153831606-387.07.009.0 | Holder | Halter | 2 |
| 6 | 152766803-344.07.018.0 | Holder | Puffer | 2 |
| 7 | 153831802-387.07.010.0 | Connection bolt | Bolzen geschw. | 2 |
| 9 | 151939503-338.00.008.0 | Spring cilip | Sicherungsstecker | 2 |
| 10 | 000209205 | Screw M8x30 8.8 Zn | Schraube M8x30 8.8 Zn | 32 |
| 11 | 000258107 | Nut M8 Zn | Mutter M8 6 Zn | 36 |
| 12 | 150266009 | Screw M8x45 4.6 Zn | Schraube M8x45 4.6 Zn | 4 |
| 13 | 000228202 | Washer A8 Zn | Scheibe A8 Zn | 36 |
| 15 | 153830509-334.01.005.0 | Tube left | Rohr links | 1 |
| 16 | 153830402-334.02.004.0 | Tube right | Rohr rechts | 1 |
| 17 | 152758607-344.01.006.0 | Shaft | Achse | 2 |
| 18 | 152757618-344.00.001.1 | Spring | Feder | 2 |
| 20 | 151002202-TN 01 | Washer 35,2x46x2 | Scheibe 35,2x46x2 | 2 |
| 21 | 000224304 | Washer A10 Zn | Scheibe A10 Zn | 2 |
| 22 | 000257000 | Tension spring 3x24 Zn | Spannhülse 3x24 Zn | 2 |
| 23 | 150170601 | Cotter pin 6,3x71 | Splint 6,3x71 | 2 |

Bild 6 Fig 6



| No. on the figure Numer anzeichn. | Catalogue no. Katalog nummer | Description | Benennung | Quantity Stück |
|---|---------------------------------|---------------------------|--------------------------|-------------------|
| 2 | 153684213-373.07.001.1 | Shaft left | Achse links geschw. | 1 |
| 3 | 153684614-373.07.005.1 | Shaft right | Achse rechts geschw. | 1 |
| 4 | 153831205-387.11.002.0 | Bracket left | Konsile l. sz. | 1 |
| 5 | 153831303-387.13.002.0 | Bracket right | Konsole r. sz. | 1 |
| 6 | 150299803 | Spring clip 8x42 | Sicherungsstecker 8x42 | 2 |
| 7 | 153667517-377.05.005.1 | Protection | Schutz | 2 |
| 9 | 150405305 | Rim 4.00x6 cpl. | Felge 4.00x6 | 2 |
| 10 | 150257000 | Tyre 15x6.00-6 4 PR. | Reifem 15x6.00-6 4 PR. | 2 |
| 14 | 150257108 | Pneumatic 15x6 | Schlauch 15x6 | 2 |
| 16 | 151006002 | Washer 13 Zn | Scheibe 13 Zn | 2 |
| 18 | 150087202 | Screw M12 x35 8.8 Zn | Schraube M12 x 35 8.8 Zn | 2 |
| 19 | 150405207-"MEFRO" | Wheel kpl.15x6.00-6-4 PLY | Rad kpl. 15x6.00-6 4 PLY | 2 |
| 20 | 155472507-"MEFRO" | Cover Ø52 "MEFRO" | Deckel Ø52 "MEFRO" | 2 |
| 27 | 000255208 | Bearing KR 6205 2 RS | Bearing KR 6205 2 RS | 4 |
| 28 | 000228603 | Washer B12 | Scheibe B12 | 2 |

Bild 7

Fig 7

